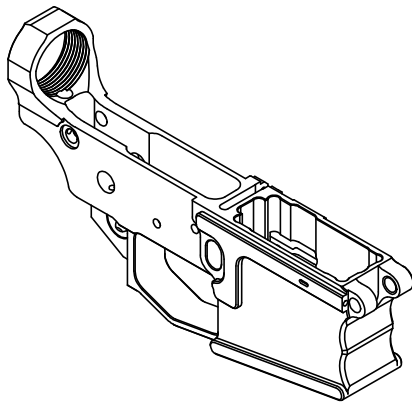


SECTION A-A
SCALE 1 : 1.5



| | | | | | | | |
|--|-------------|---------|---|--|-----------|-------------------|--------------|
| <p>PROPRIETARY AND CONFIDENTIAL</p> <p>THE INFORMATION CONTAINED IN THIS DRAWING IS THE SOLE PROPERTY OF <INSERT COMPANY NAME HERE>. ANY REPRODUCTION IN PART OR AS A WHOLE WITHOUT THE WRITTEN PERMISSION OF <INSERT COMPANY NAME HERE> IS PROHIBITED.</p> | | | DIMENSIONS ARE IN INCHES TOLERANCES: FRACTIONAL ± ANGULAR: MACH ± BEND ± TWO PLACE DECIMAL ± THREE PLACE DECIMAL ± | | NAME | DATE | |
| | | | | | DRAWN | | |
| | | | | | CHECKED | | |
| | | | | | ENG APPR. | | |
| | | | MATERIAL | | MFG APPR. | | |
| | | | | | Q.A. | | |
| | | | | | COMMENTS: | | |
| | NEXT ASSY | USED ON | FINISH | | | | |
| | APPLICATION | | DO NOT SCALE DRAWING | | | | |
| | | | | | SIZE | DWG. NO. | REV. |
| | | | | | A | AR_Lower_Rec_G311 | |
| | | | | | SCALE:1:2 | WEIGHT: | SHEET 1 OF 1 |